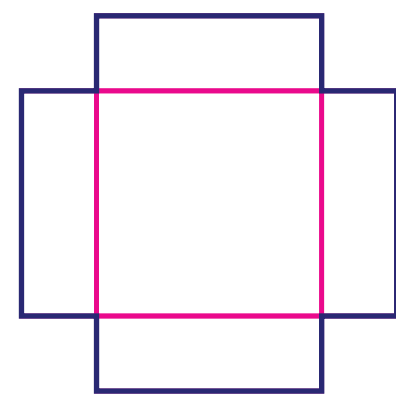
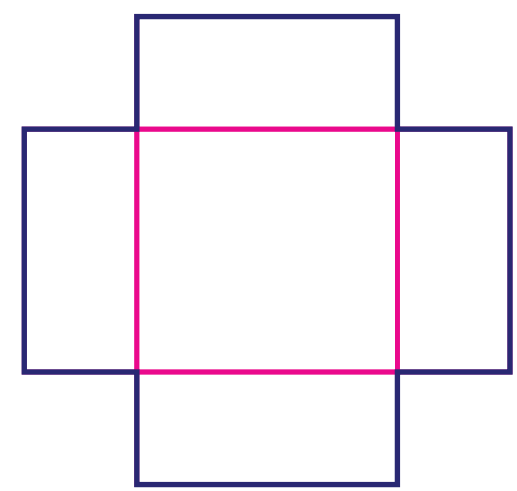


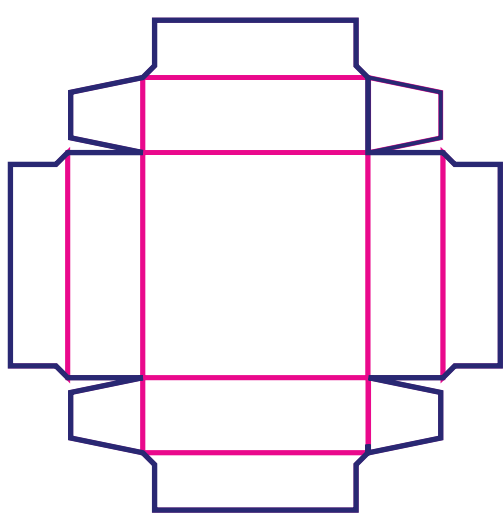
TOP LID
Hard Borad



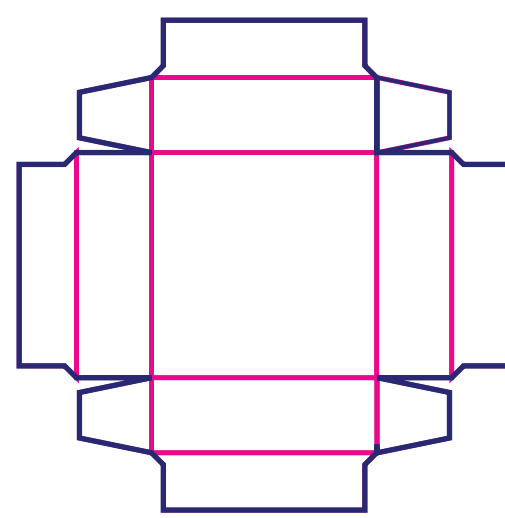
BOTTOM LID
Hard Borad



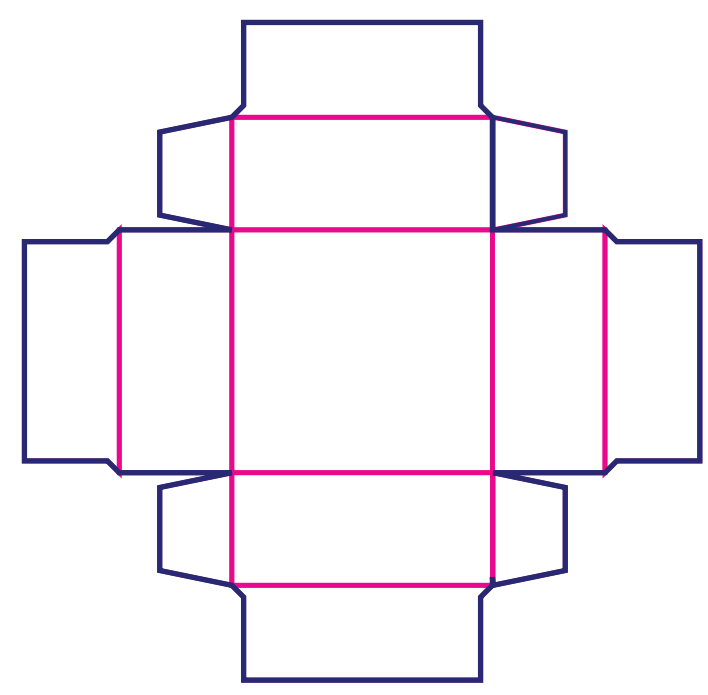
NECK
Hard Borad



TOP LID
Wrapping Paper



BOTTOM LID
Wrapping Paper



NECK
Wrapping Paper

Shoulder Neck Box
Dimensions: **3.0x3.0x1.5 "**

BLEED 
TRIM 
CREASE 

 **CUSTOM BOX
MAKERS**
+1(844)-269-3730